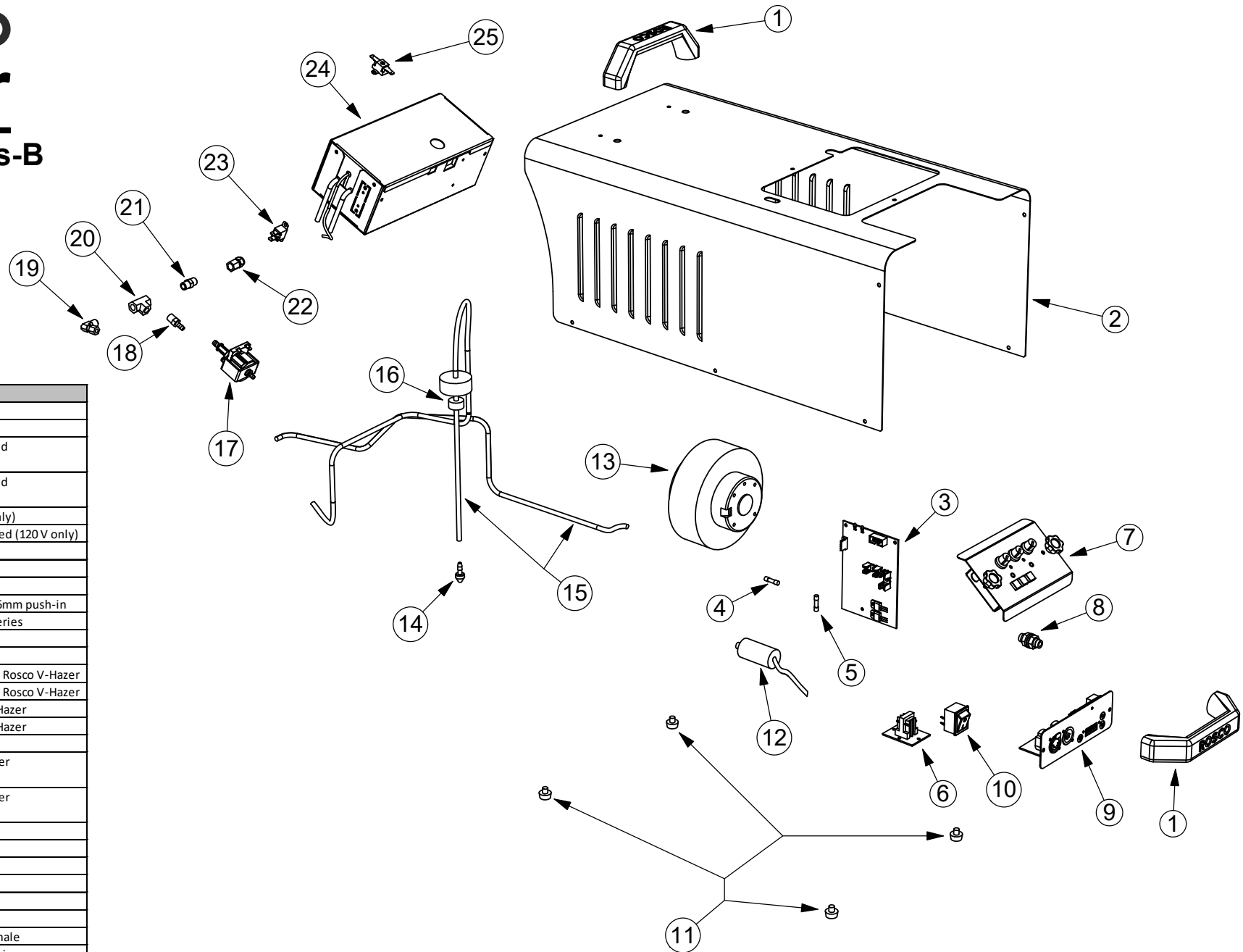


# ROSCO V-Hazer

**Spare Parts-B**  
March 2024



No.	Item No.	Description
1	23782220A003	Handle, Rosco Vapour
2	23784440J001	Cover, Rosco Hazer
3	23784440I240	PCB, Rosco V-Hazer, 230V, tested (Includes No's 4/5)
	23784440I110	PCB, Rosco V-Hazer, 120V, tested (Includes No's 4/5)
4	23782220I003	Fuse 6.3 AT 5 x 20 mm (230 V only)
	23782220I002	Fuse 10A 20mm 125v,UL approved (120 V only)
5	23782220I011	Fuse 3.15 AT, I*t=226.5
6	23782220I012	PCBA Filter (230v only)
7	23782220I006	Remote, Rosco Vapour Series
8	224199020102	B/head adaptor, plastic, 6mm-6mm push-in
9	23782220I007	DMX interface, Rosco Vapour Series
10	23782220I001	Mains switch 2 pole Rev A
11	23782220A002	Rubber foot
12	23784440I005	Capacitor 1uF, c/w crimps, 230V Rosco V-Hazer
	23784440I004	Capacitor 3uF, c/w crimps, 120V Rosco V-Hazer
13	23784440I003	Fan c/w crimps, 230V, Rosco V-Hazer
	23784440I002	Fan c/w crimps, 120V, Rosco V-Hazer
14	23782220F008	Clunk weight
15	23784440F002	Fluid line assy, 5L, Rosco V-Hazer (Includes No's 14/16)
	23784440F001	Fluid line assy, 4L, Rosco V-Hazer (Includes No's 14/16)
16	23782220F007	Filter, inline 1/8-1/8 barb
17	23784440F240	Pump nme 2 240v 50hz.
	23784440F120	Pump nme 2 120v 60hz
18	23784440F004	1/8 BSPT x 3/16 hosetail
19	23711700HW01	Elbow male 4mm-1/8 bsp
20	23784440F003	Union Tee, 1/8PT female
21	23782220F010	Valve non return, 1/8-1/8BSP, male
22	23782220F015	Straight 1/8 bsp fem - 6mm fast-in
23	23784440I006	Thermal fuse DM182H
24	23784440H240	Heat Ex Assy + fit, 230V Rosco V-Hazer (Includes No's 19/23/25)
	23784440H110	Heat Ex Assy + fit, 120V Rosco V-Hazer (Includes No's 19/23/25)
25	23782220I004	Thermostat 350DEG C manual reset